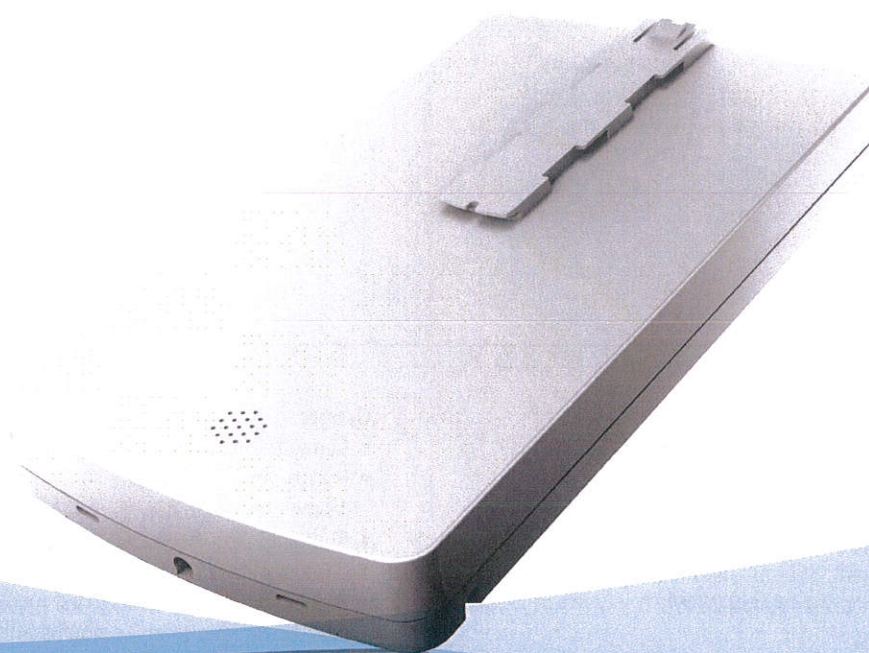


zotgcznik nr 3

MEDLINE CARELINE
IMPROVING EFFICIENCY IMPROVING EFFICIENCY



Battery Li-Ion BA21 Data sheet

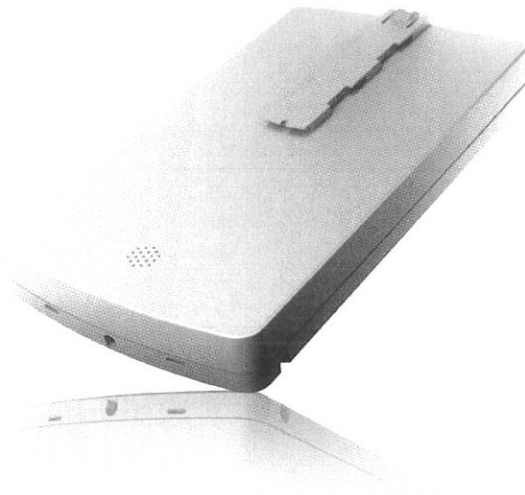
BA21 Li-Ion

The BA21 Li-Ion back-up battery pack has been specially developed for use with the new control boxes COxx and CAxx, e.g. CO61 and CA40, etc. It is a low weight battery with built-in charger and high performance and safety.

BA21 Li-Ion is based on Nickel Manganese Cobalt Oxide (NMC) which is an environmentally friendly chemistry without heavy metals.

Further advantages by use of the BA21 Li-Ion are

- Extended lifetime.
- Easy to remove and attach the battery with snap system and LINAK mounting bracket on application or under control box.
- The battery provides charging status information to the control box. This makes it possible to receive an indication on the control box and/or on the hand control.



Features & Options:

- Lithium Ion technology: Nickel Manganese Cobalt Oxide (NMC)
- Output voltage: 25.9 V DC
- Max. discharge current: 10 A
- Charging Current: 300 mA/controlled by BA21
- Battery capacity: 2.25 Ah/58.28 Wh
- Weight: 0.7 kg
- Housing colour: Light grey (RAL 7035)
- Protection class: IPX6 Washable DURA™
- Packaging: Every battery is packed individually and is fitted with lithium caution (transportation requirement)
- Classification: Internally powered

Usage:

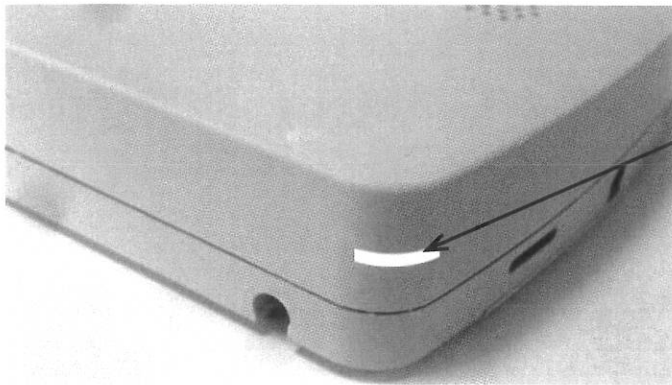
- Compatibility: Battery back-up for COxx and CAxx
- Duty cycle: 5 %, 1 minute continuous use followed by 19 minutes not in use.
- Charging: With integrated charger in battery
- Charging time: Approx. 10 hours
- Recharging during storage: First recharge of the battery must be no later than 12 months after production date stated on the label. Hereafter the battery must be recharged at least every 12 months.
- Operating temperature: + 5 °C to + 30 °C
- Storage temperature: - 10 °C to + 40 °C (+ 10 °C to + 25 °C recommended) The batteries must be stored in an applicable storage room without direct sunlight
- Relative humidity: 20 % RH to 80 % RH, non-condensing
- Atmospheric pressure: 700 to 1060 hPa
- Approvals: IEC60601-1, ANSI/AAMI ES60601-1, CAN/CSA-22.2 No 60601-1, IEC62133, UL2054, UN38.3 (needed for transport of lithium batteries)

Green battery solution:

Compared to lead acid, the lithium ion battery is an environmentally friendly product solution with less CO₂ emission and reduced environmental footprint.

- Extended lifetime means less transport of batteries (fewer batteries)
- Extended lifetime means less waste (fewer batteries)
- 50% weight reduction compared to lead acid batteries means transport of less weight

LED functionality:



LED	Indication of operation
Solid yellow	Charging
No LED light	Fully charged
Flashing yellow	Error during charging

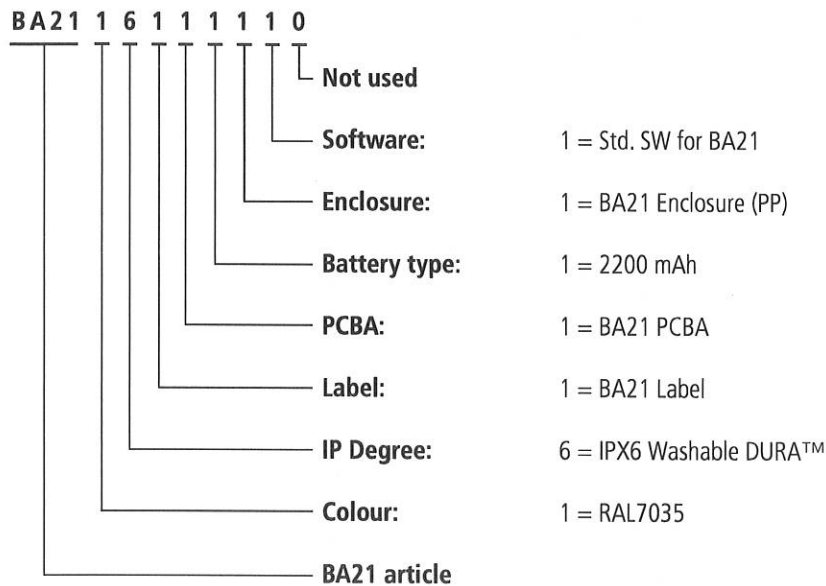
Buzzer functionality:

The buzzer will make a warning when a button on the hand control is pressed and the battery capacity is low.

The buzzer can also be activated by the control box to signal other conditions. This must be specified in the control box software.

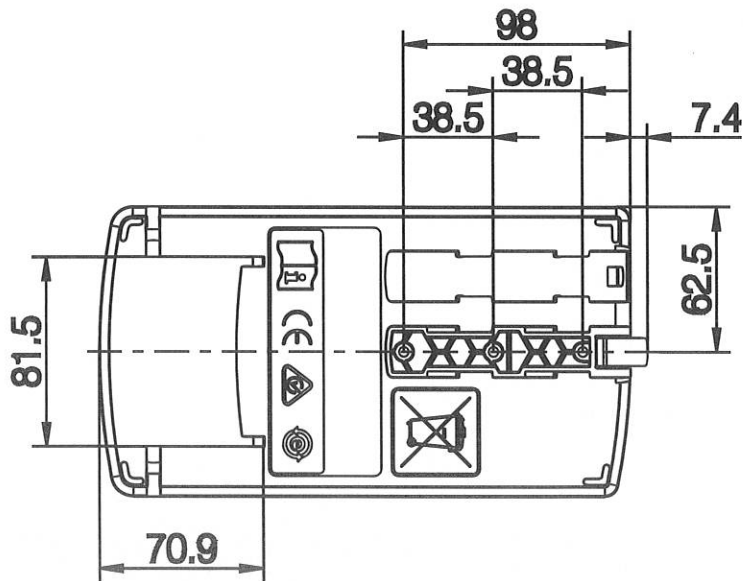
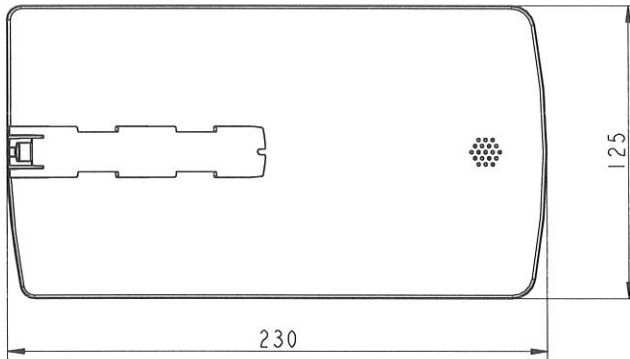
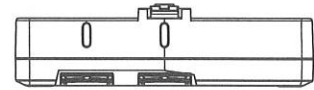
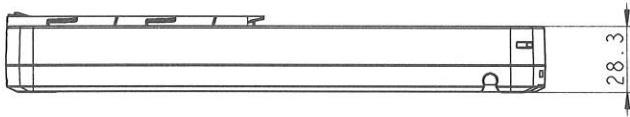
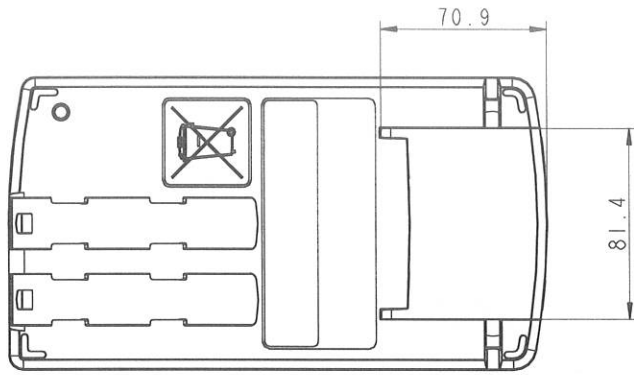
BA21

Ordering example:



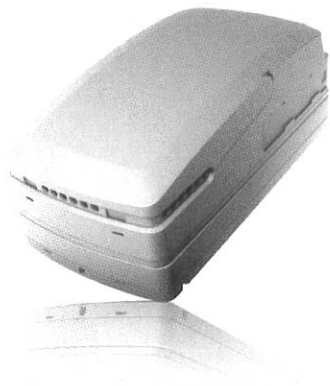
Dimension drawing

BA21

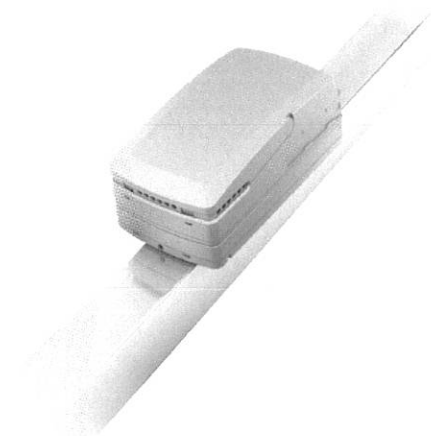


BA21 mounting possibilities:

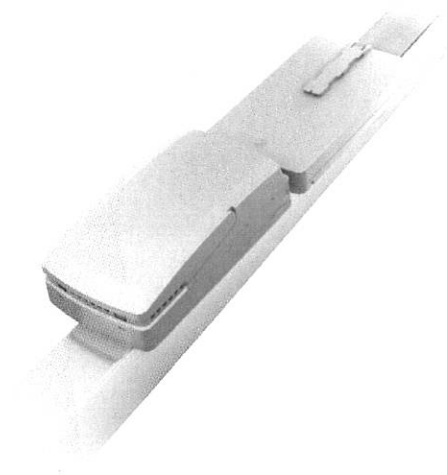
BA21 with C061



BA21 with C061 on bed frame



BA21 with C061 side-by-side on bed frame



Terms of use

The user is responsible for determining the suitability of LINAK products for specific application. LINAK takes great care in providing accurate and up-to-date information on its products.

However, due to continuous development in order to improve its products, LINAK products are subject to frequent modifications and changes without prior notice. Therefore, LINAK cannot guarantee the correct and actual status of said information on its products.

While LINAK uses its best efforts to fulfil orders, LINAK cannot, for the same reasons as mentioned above, guarantee the availability of any particular product. Therefore, LINAK reserves the right to discontinue the sale of any product displayed on its website or listed in its catalogues or other written material drawn up by LINAK.

All sales are subject to the Standard Terms of Sale and Delivery for LINAK. For a copy hereof, please contact LINAK.